

MX^D SERIES

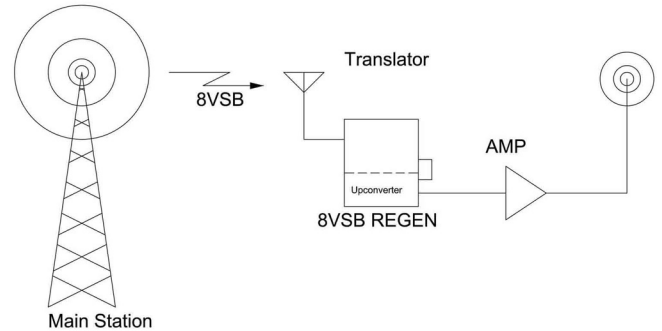
The evolution of 40+ years of experience

SIMPLICITY • RELIABILITY • MODULARITY • SERVICEABILITY

LARCAN 8VSB TRANSCODER EXCITER

**Designed by Zenith* 

Selects and Corrects 8VSB DTV Signal



for

**DTV Broadcast Repeaters | Translators, Cable,
Microwave & STLs**

INPUT:

*RECEIVES ANY 8VSB INPUT DTV CHANNEL,
CORRECTS ALL ERRORS, AND UP CONVERTS
SIGNAL TO ANY BROADCAST DTV OR CABLE CH.*

Ability to modify PSIP Information

*RE-ESTABLISHES REFERENCE CLOCK
FREQUENCY FOR MULTI-HOP TRANSMISSION
(Zenith patent pending)*

*EXTERNAL 45 MHZ 8VSB IF LOOP
FOR ADDED VERSATILITY*

OUTPUT:

*ALL FREQUENCIES UP TO 806 MHZ
INCLUDING OFFSET (IF REQUIRED)*

*FIELD PROVEN STABILITY:
OUTPUT POWER STABILITY
FREQUENCY STABILITY
TEMPERATURE STABILITY*

24 x 7 FACTORY SUPPORT

OPTIONS:

*VIDEO AND AUDIO AVAILABLE ON Rear
CHASSIS FOR ANALOG OPERATION*

*ABILITY TO PRE-CORRECT LINEAR
distortion OF OUTPUT AMPLIFIER*

**Preliminary announcement subject to FCC Rules*

LARCAN